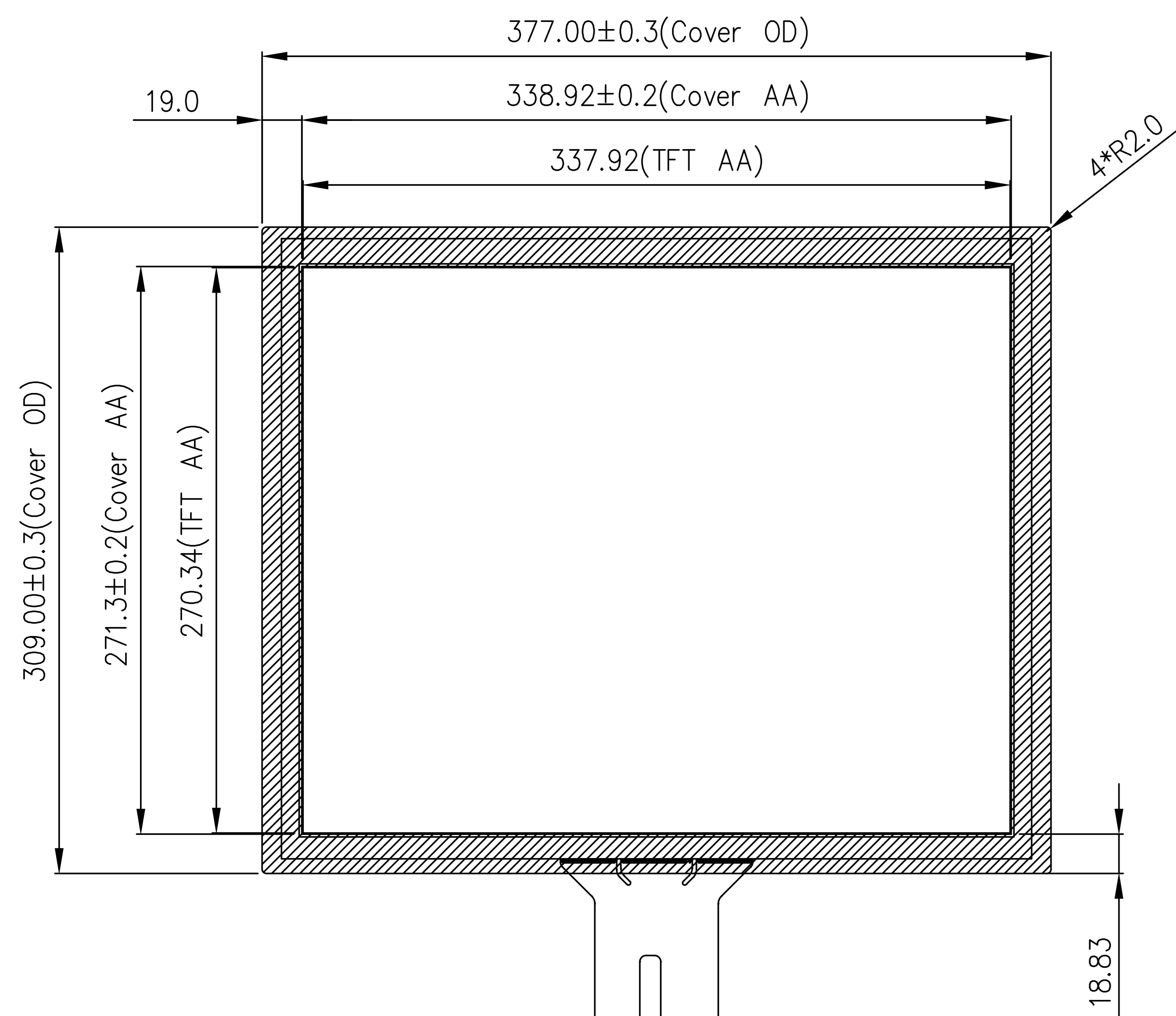
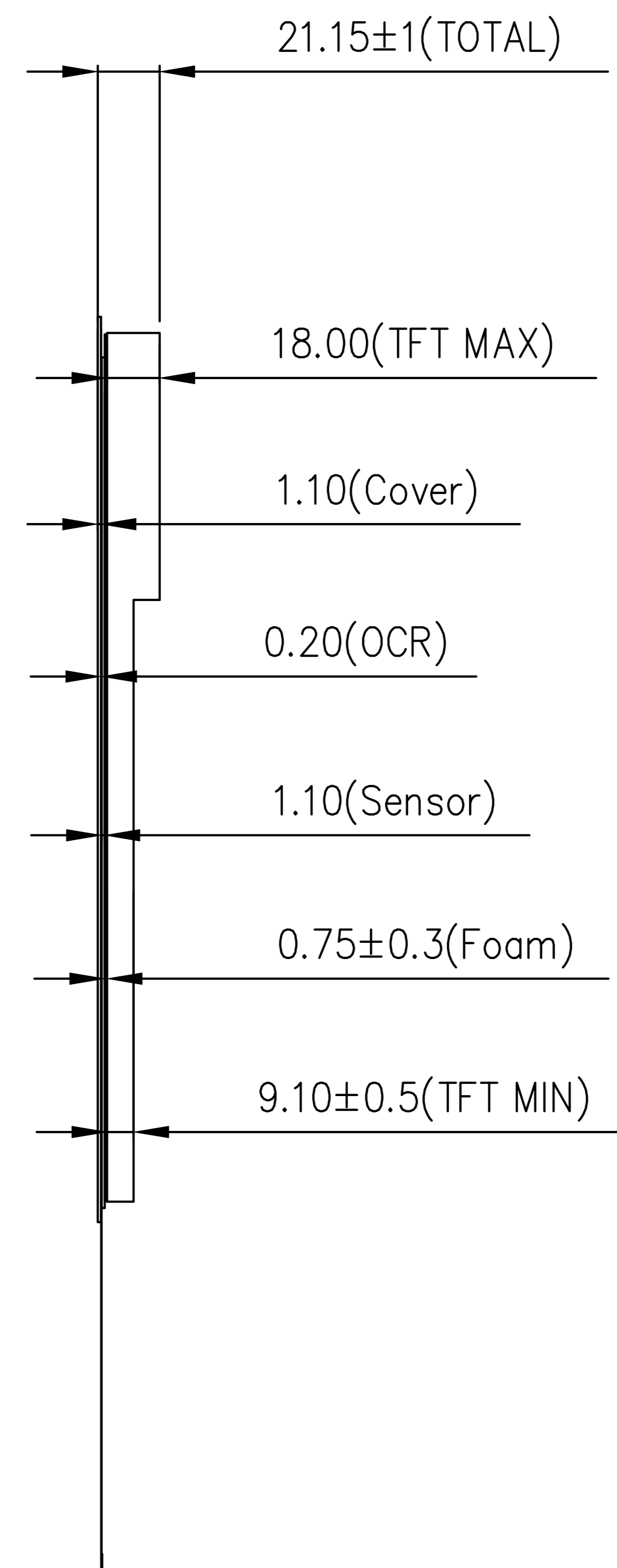


No ROHS hazardous material

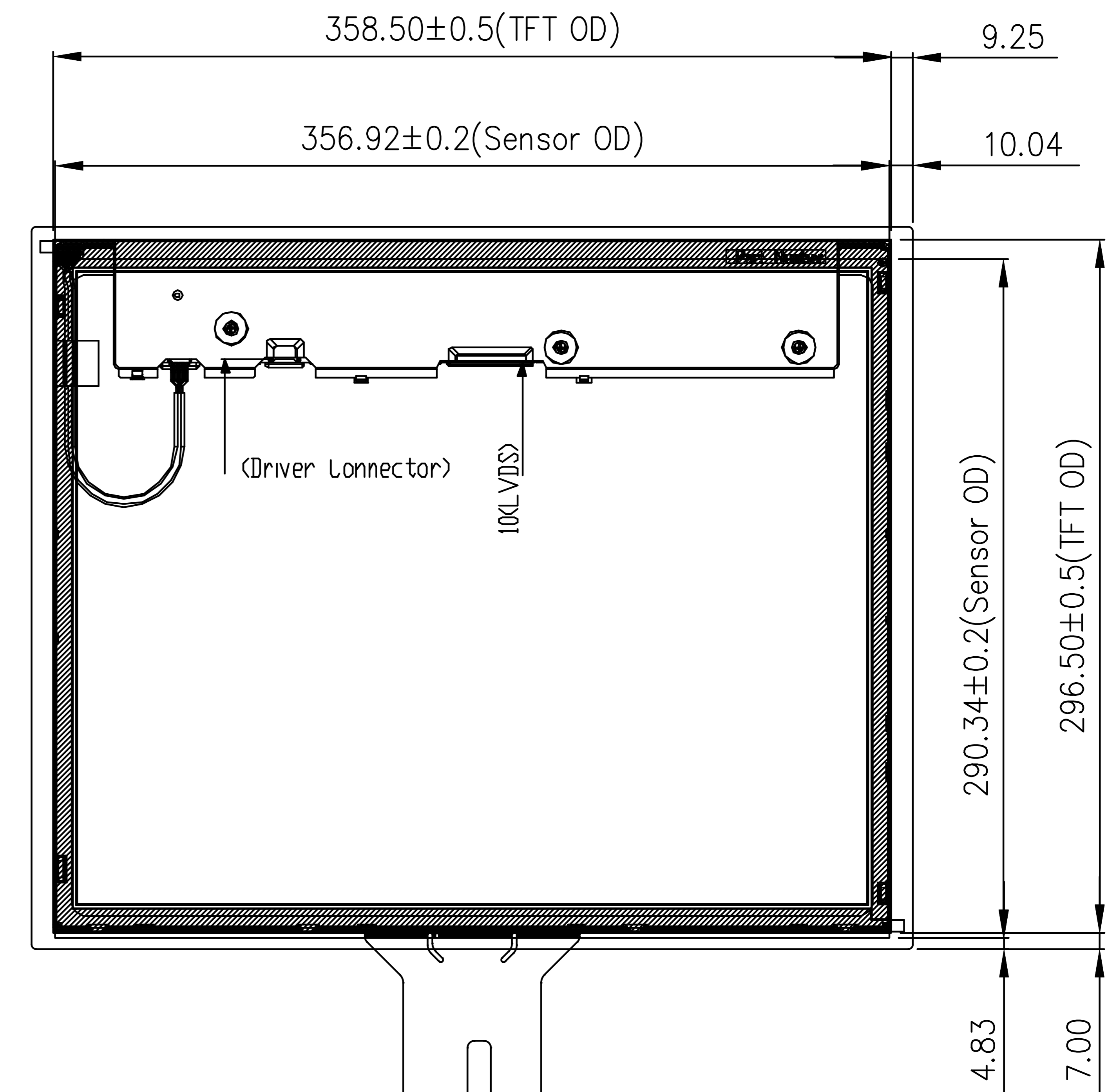
Ordinal	Modify content description	Cartographer	Date of change
△			
△			



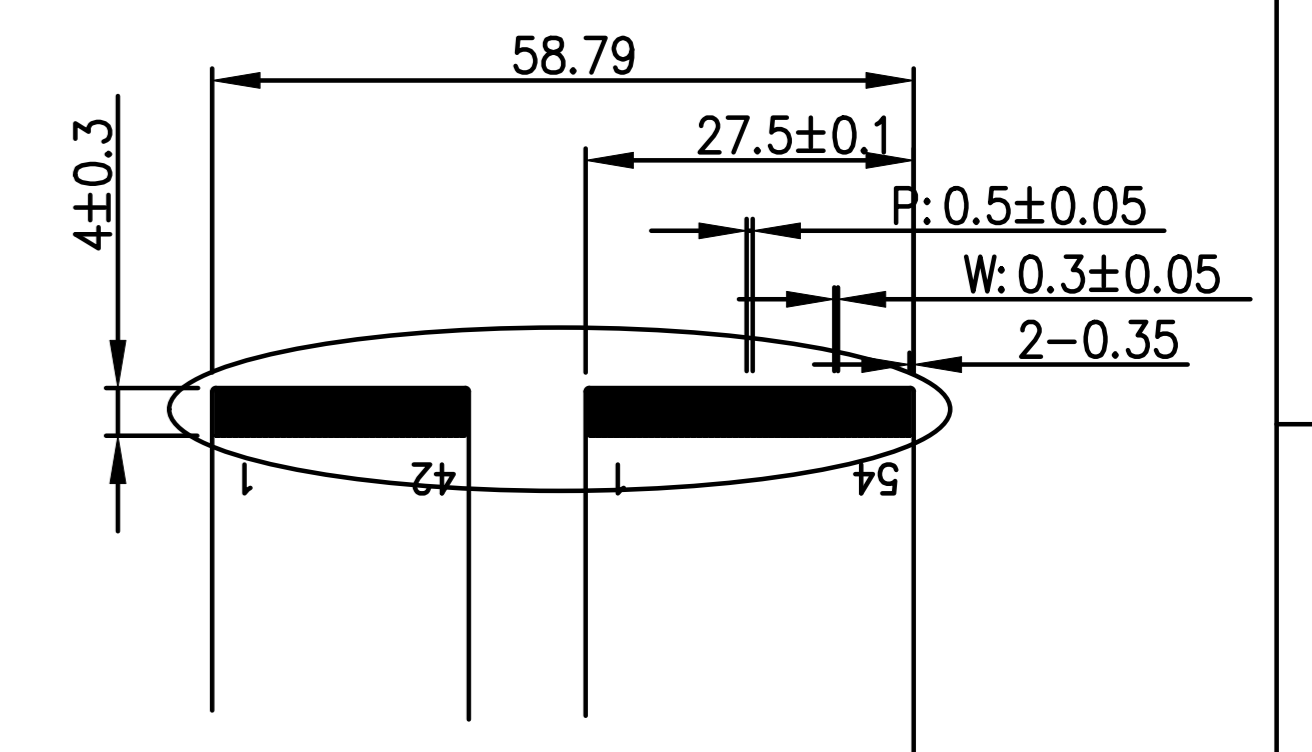
Front view



Side view



Back view



A'': A=2:1

USB Connector(J1)	
1	VCC(5V)
2	DN
3	DP
4	GND

Screen printing area: Print Black

Technical parameters			
1.Interfaces :	USB	7.Humidity range :	45~85%RH
2.Structure :	G+G	8.Transmittance :	>85%
3.IC solutions :	ILI2302M	9.Surface hardness :	>6H
4.Impact resistance :	30.0ΦDIA.Steel Ball/ 132g/Height=35cm/1time	10. Operate :	-20℃~+70℃, <85%RH
5.Touch points :	10 points	11. Storage :	-30℃~+80℃, <85%RH
6.Power supply :	5V	12.Unmarked dimension tolerance as±0.5	

TFT(G170EG01 V1) PIN:											
CN2										CN1	
1	2	3	4	5	6	7	8	9	10	1	VCC
11	12	13	14	15	16	17	18	19	20	2	VCC
21	22	23	24	25	26	27	28	29	30	3	GND
			GND			GND				4	GND
			GND	GND	NC	GND	VCC	VCC	VCC	5	DISPLAY ON
										6	DIMMING



杭州宏泉科技有限公司
GraHowlet Technology CO.,Ltd

Model	HX1701702			view direction		Unit	MM
Version	V1.0	Designer	LUO	Date	2017-12-12	Edition	A1
Customer		Approved	HBZ	Date	2017-12-13	Proportion	1:1